



Twin Otter Series DHC-6-400

Serial Number: 857

Current Registration TC-KHC / Proposed New USA Registration N857WJ

Total Time: 350 hours / Total Landing: 540

Manufactured: Viking Air Limited 2012

**Attributes:** IFR certified  
IFR equipped  
Commercially registered  
JAR-OPS 1 registered

#### Equipment

Wing & Tail Surface de-Ice System  
Windshield Heating System  
Propeller de-ice system



#### Avionics

- Honeywell Apex VFR Avionics Suite
- Honeywell Apex Commercial IFR package
  - Dual GPS Installation, WAAS

*Bertrand Lattes Aviation Consult – B.L.A.C*

13 Rue des Tourterelles, 34130 SAINT AUNES, France Tel : +33.(0).9.81.71.02.02 Mobile : +33.(0).6.77.39.94.28

Mail: [bertrand.lattes@blaviationconsult.com](mailto:bertrand.lattes@blaviationconsult.com) Website : [www.blaviationconsult.com](http://www.blaviationconsult.com)



- Dual MMDR (Dual VHF Com)
  - Dual VOR / ILS
  - Dual ADF
  - Dual DME
- ART 2000 Weather Radar
- Dual Mode S diversity (EHS) transponders
- 406 MHz ELT with navigation Interface and remote switch
  - Dual Audio Panels
  - Cabin Address System
- Mk 6 Class A TAWS (includes high resolution mapping on MFD)
  - Radio Altimeter
  - TCAS-II
- Cockpit Voice Recorder (CVR)
  - Flight Data Recorder (FDR)

- Interior:**
- Leather seats for 16 passengers
  - Air Conditioning • Cabin Toilet

Engine(s)		
Number of engines:	2	
Make/Model:	PRATT WHITNEY PT6A-34	PRATT WHITNEY PT6A-34
Total Time:	350 h	350 h
Prop Make/Model:	Hartzel HC-B3TDN-3D	Hartzel HC-B3TDN-3D

**(TECHNICAL INFORMATION)**

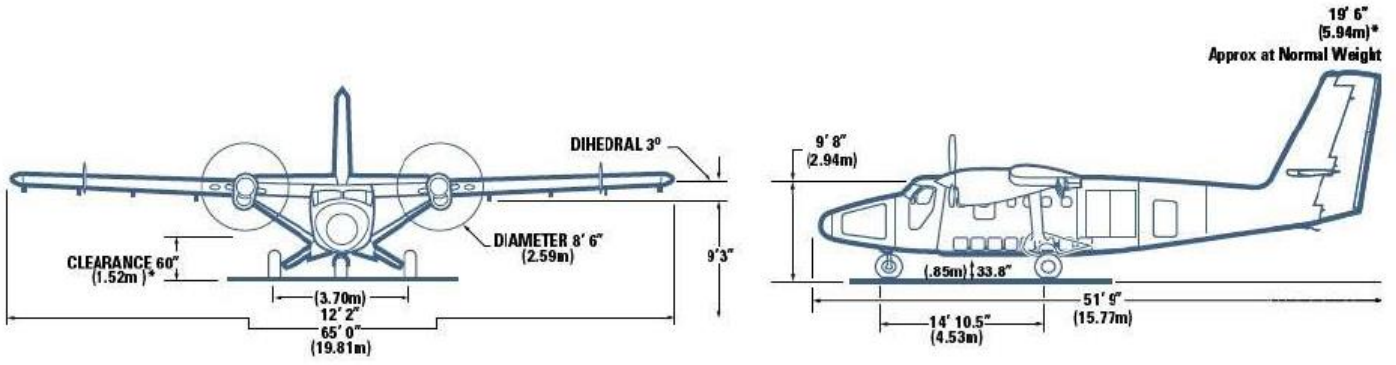
- Engine/Power Plant: PT6A-34
- Cockpit Crew : 2
- Maximum Range : 1,435 Km (standard tankage)
- Maximum Cruising Speed : 170 kt (sea level)
- Maximum Passenger Capacity: 19
- Length 15.77 m
- Wingspan : 19.8 m
- Height: 5.9 m
- Maximum Takeoff Weight: 5,670 kg



Enclosed lavatory – or completely remove for additional seating



# 1. DIMENSION EXTERNAL



Bertrand Lattes Aviation Consult – B.L.A.C

13 Rue des Tourterelles, 34130 SAINT AUNES, France Tel : +33.(0).9.81.71.02.02 Mobile : +33.(0).6.77.39.94.28

Mail: [bertrand.lattes@blaviationconsult.com](mailto:bertrand.lattes@blaviationconsult.com) Website : [www.blaviationconsult.com](http://www.blaviationconsult.com)





## 2. DIMENSION INTERNAL

Length, Cabin	5.61m
Height, Cabin	1.50m
Width, Cabin	1.32m

## 3. ACCOMMODATION

Standard seating	15 pax
High capacity	19 pax

## 4. WEIGHT

Standard Aircraft Basic Weight	3,121 kg
--------------------------------	----------

## 5. FUEL Burn at Economy Cruise

146 KTS at 10,000ft	468.2 lbs/hour (0.311nm/lb of fuel)
Fuel Capacities	378 US Gallons

## 6. ENGINE RATINGS

Manufacturer	Pratt & Whitney
Model	PT6A-34

## 7. POWER RATINGS

Take Off	620 Shp
Max Continuous	620 Shp

## 8. PROPELLER

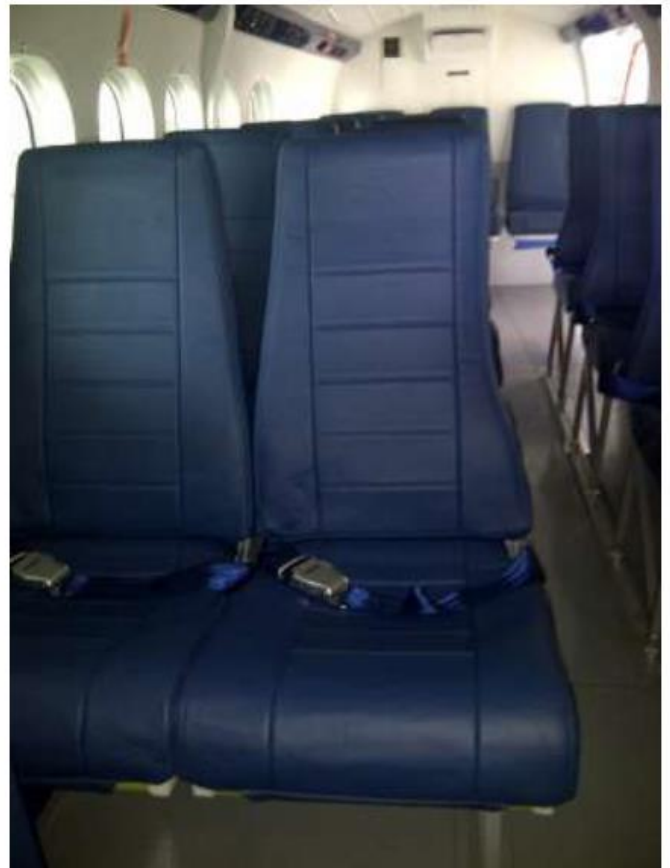
Number of blades	3
Construction	Metal

## 9. SERVICE CEILING

Both engines at maximum climb power (Rate of climb 1000 ft/min): 26,700 ft (8138 m)

For aircraft photos and a list of our Twin Otter parts for sale go to [www.caamsllc.com](http://www.caamsllc.com)

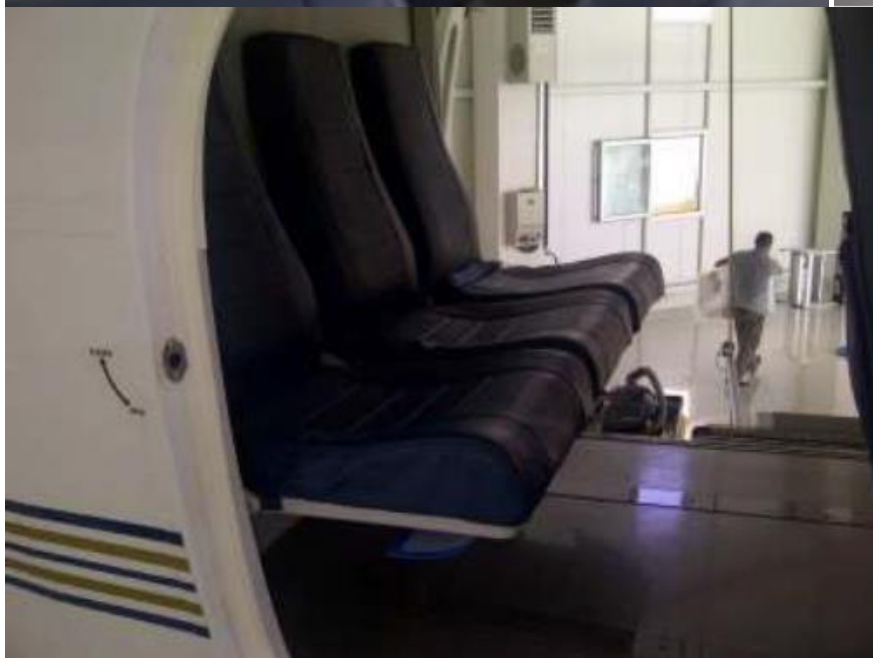
The status and information contained in this specification is complete, accurate and reflects the status of the aircraft; based upon the aircraft equipment list, airframe log book, engine log books, weight and balance book, and aircraft flight log; as of November, 2015.



*Bertrand Lattes Aviation Consult – B.L.A.C*

13 Rue des Tourterelles, 34130 SAINT AUNES, France Tel : +33.(0).9.81.71.02.02 Mobile :+33.(0).6.77.39.94.28

Mail: [bertrand.lattes@blaviationconsult.com](mailto:bertrand.lattes@blaviationconsult.com) Website : [www.blaviationconsult.com](http://www.blaviationconsult.com)



*Bertrand Lattes Aviation Consult – B.L.A.C*

*13 Rue des Tourterelles, 34130 SAINT AUNES, France Tel : +33.(0).9.81.71.02.02 Mobile : +33.(0).6.77.39.94.28*

*Mail: [bertrand.lattes@blaviationconsult.com](mailto:bertrand.lattes@blaviationconsult.com) Website : [www.blaviationconsult.com](http://www.blaviationconsult.com)*